

Idea-Push Iseo.
Puterea si inteligenta
sta in propriul sau
nume.

Idea-Push Iseo.
Its strength
and intelligence lie
in its own name.

ISEO



**Idea-Push Iseo.
Caracteristici:**

Design.

**Forma rezistentă la
socuri.**

Maner.

Adaptabilitate.

Modularitate.

Accesorii.

Reversibilitate.

**Idea-Push Iseo.
Features
summary:**

Design.

Shock-resistant shape.

Handle.

Adaptability.

Modularity.

Accessories.

Reversibility.

Idea-Push Iseo. Puterea si inteligenta sta in propriul sau nume

Iseo capata eleganta cu Idea-Push, gama de bare anti-panica. Designul unic cu linii rotunjite deschide drumul catre cel mai fin finisaj din lume.

Idea-Push este produs in conformitate cu standardul EN 1125, certificate de ICIM si Warrington Certification Limited Institutes.

Idea-Push permite o montare usoara si rapida multumita elementelor sale (tije "quick-fix" si contrapiese). Nu conteaza daca usile sunt din lemn, fier, aluminiu sau PVC.

O structura rezistenta la soc

Carcasele fata/spate sunt rezistente la socuri si pot fi actionate, spre exemplu, de scaune cu rotile sau paturi de spital: eleganta lui Idea-Push este proiectata sa reziste in timp.

Idea-Push este reversibila (atat spre dreapta cat sis pre stanga) si poate fi micsorata pana la 330 mm.

Idea-Push Iseo. Its strength and intelligence lie in its own name

With Idea-Push the range of Iseo panic exit devices acquires a touch of elegance. Its unique design with rounded lines opens up the way for the world of finest furnishing.

Idea-Push is manufactured in compliance with EN 1125 standard, as certified by ICIM and Warrington Certification Limited institutes.

Idea-Push allows for a quick and easy fitting thanks to its constructional elements (quick-fix rods and striking plates). No matter if the doors is made of wood, iron, aluminium or PVC.

A shock-resistant structure

The back and front cases are shock-resistant and can be used, for instance, on trolleys and hospital beds: the elegance of Idea-Push is designed to last through time.

Idea-Push is reversible (right-hand and left-hand) and can be shortened down to 330 mm.

ISEO



CE
1121



Idea-Push foloseste aceleasi componente si accesorii ca barele anti-panica Idea

Idea-Push este una singura dar poate avea mii de versiuni: doar combina, cum vrei, mecanismul central, tijele cu inchidere sus/jos/lateral, si in final, cu sistemul extern de acces.

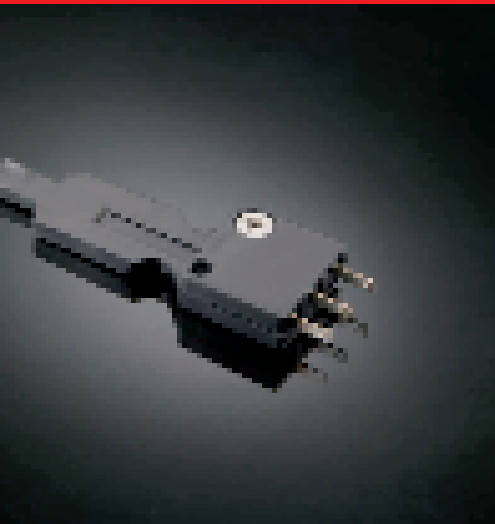
Idea-Push este disponibila ca o versiune modulara (pentru a obtine unul-doua-sau trei-puncte de inchidere), are incuietoare cu sistem de auto-blocare si este recomandata pentru usile cu protectie anti-foc.

Idea-Push uses the same components and accessories of the Idea panic exit device

Idea-Push is one but can have thousands of versions: just combine, as you like, its central mechanism, its rods with top/bottom/side latch bolts and finally its external access standard devices.

Idea-Push is available as modular version (to obtain one- two- or three-point locking), has a self-locking latch bolt and is also well-suited for fire doors.

ISEO



1



3

**Accesoriile gamei
Idea-Push sunt
puternice si inteligente
la fel ca Idea-Push**

**Idea-Push accessories
are strong and
intelligent just as
Idea-Push**

**1) Kitul micro-comutator se va fixa
in interiorul barei**

**1) Microswitch kit to be fixed
inside the bar**

**2) Placute de fixare din otel pentru
partea barei si incuietorii**

**2) Steel fixing plates
for bar and latch bolt side**

**3) Sistem extern de acces: maner
si cilindru, ornament si cilindru si
toate componentele din gama Idea
(940*)**

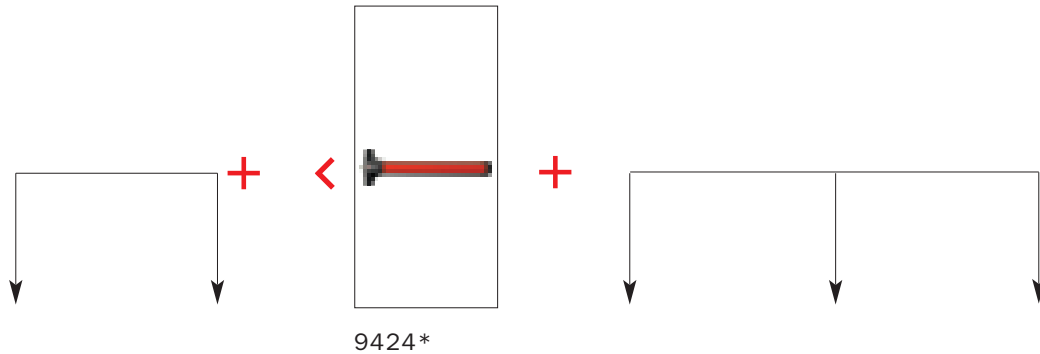
**3) External access device:
handle and cylinder, knob and
cylinder and all Idea (940*) range**

I^{SE}EO

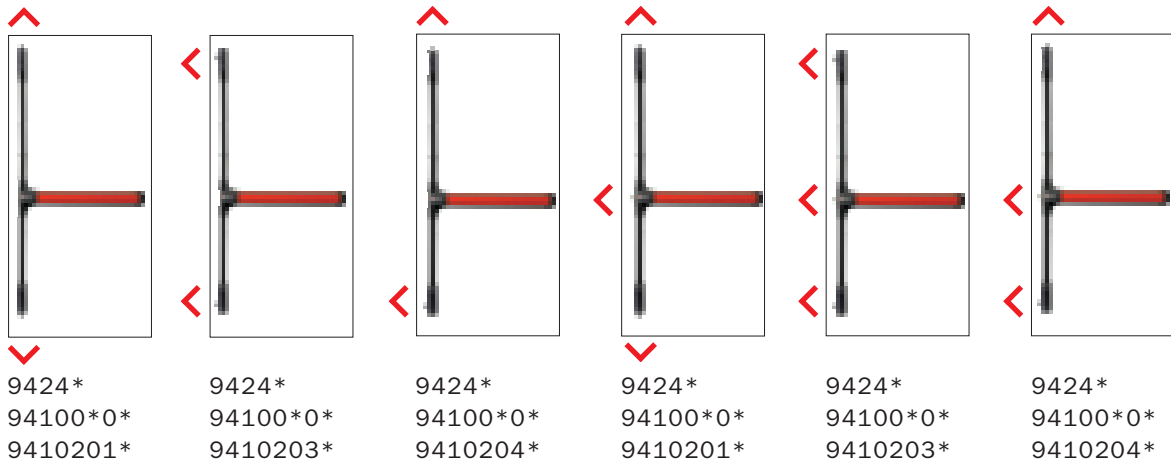


**Schema aplicativa
pentru gama de bare
anti-panica Idea-Push**

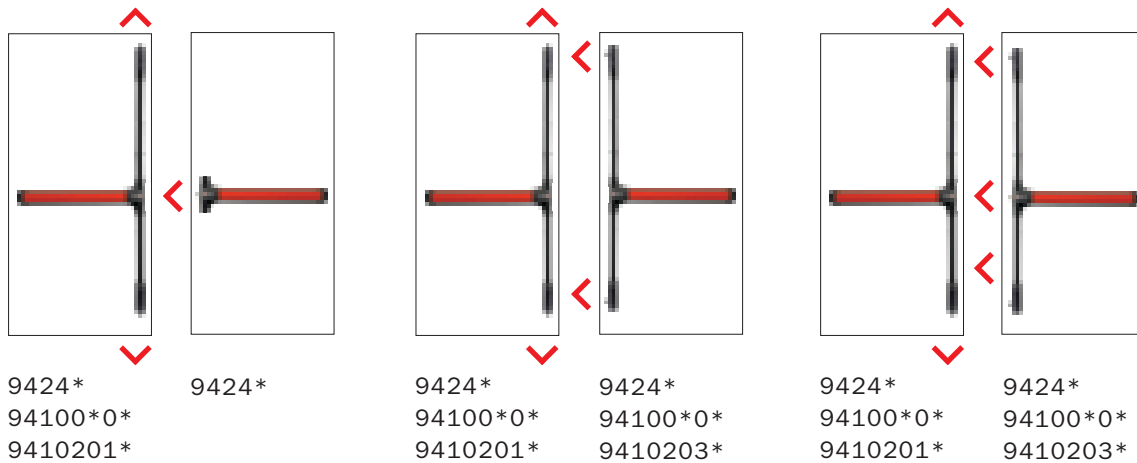
**Idea-Push
certified panic
exit devices
application scheme**



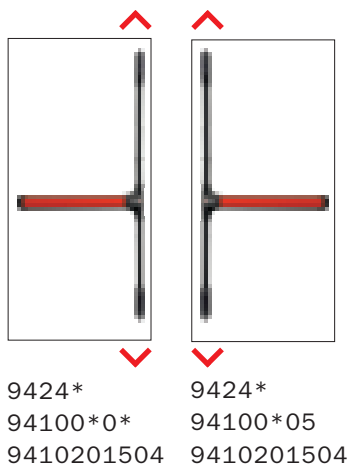
**Usi simple
Single leaf
doors**



**Usi duble
rabatabile
Rebated
double
doors**



**Usi duble
nerabatabile
Unrebated
double
doors**



**Aceste bare
anti-panica nu se
folosesc pentru usi
oscilobatante**

**These panic devices
are not intended for
use on double action
(double swing) doors**



CE
1121

